

VTRH-300D

Duct-mount Temperature / Humidity Transmitter

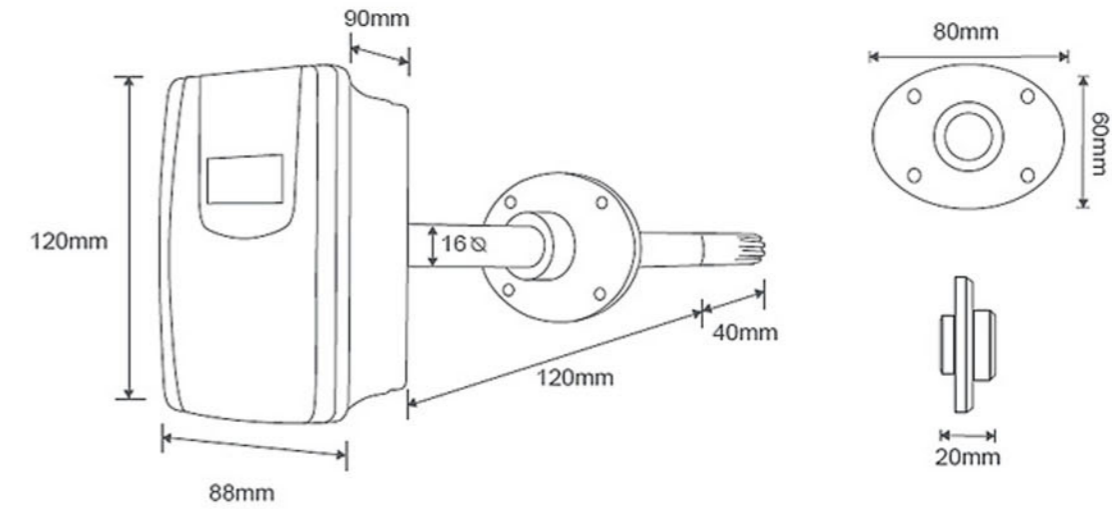


Features

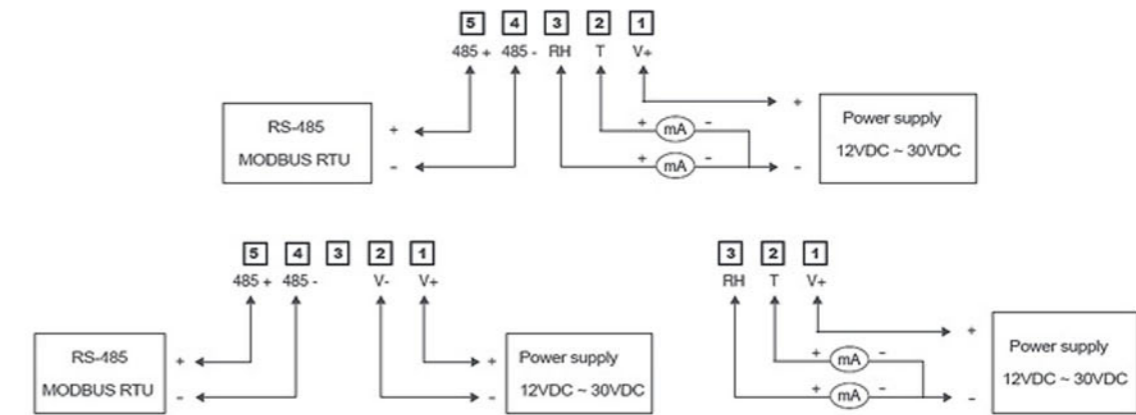
- CMOSENS technical develop temperature & humidity sensor
- 4 ~ 20mA or 0 ~ 10V can use along with PLC, DDC, DCS system control
- RS-485 communication (MODBUS RTU mode)
- Original set point reset
- ZERO and SPAN inner digital key for user to adjust
- High accuracy, high stability & fast response, exquisite, save electric, anti-noise
- HVAC cooling system available



Dimension



Electrical Connection



Specification

Measuring Range	Temperature : 0~50 °C (-50~+80 °C or 0~100 °C) Humidity : 0~100%RH
Accuracy	± 2% RH ± 0.3 °C FS : ± 3% RH ± 0.4 °C FS
Output Signal	Temperature : 4~20 mA (Resistive 600Ω max.) or 0~10V (Resistive 600Ω min.) or RS-485 MODBUS RTU Humidity : 4~20 mA (Resistive 600Ω max.) or 0~10V (Resistive 600Ω min.) or RS-485 MODBUS RTU
Power Supply	12~30VDC ±5%
Ambient Temperature	-20 °C ~80 °C
Ambient Preserve	Temperature : ~10+60 °C
Sensing Element	Humidity : 0~90%RH
Response Time	CMOSens Chip of temperature and humidity sensor
Current Consumption	3sec
Grade Anti-Leak	<4mA
Case	IP 54
Weight	ABS
	Approx. 176g

Ordering Information

VTRH-300D

Input signal	Code	Output	Code	Code	Accuracy
Temperature & Humidity Transmitter	1	4 ~ 20 mA	M	LCD display	2%RH A
Humidity Transmitter	2	0 ~ 10 V	V	None	3%RH B
Temperature Transmitter	3	RS-485	C		